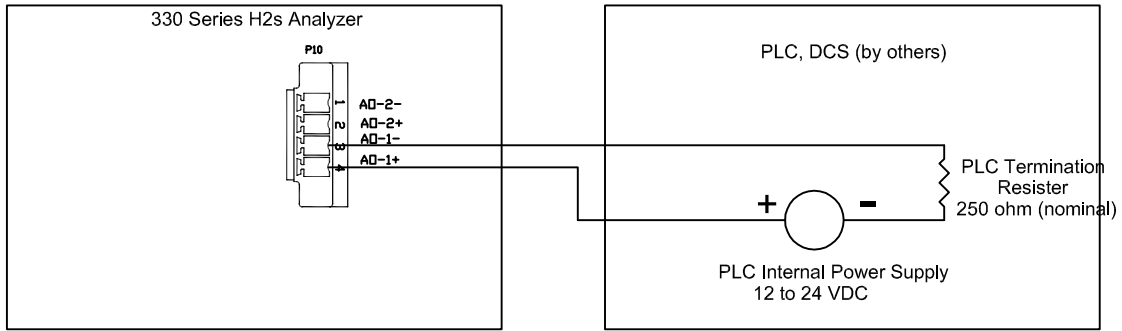
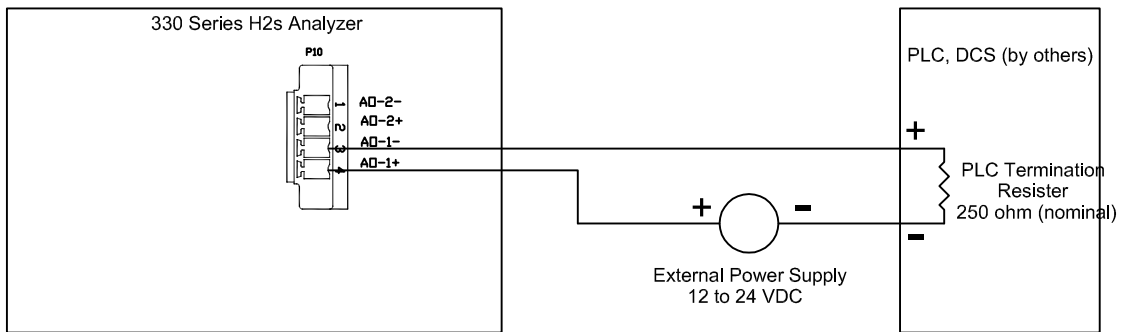


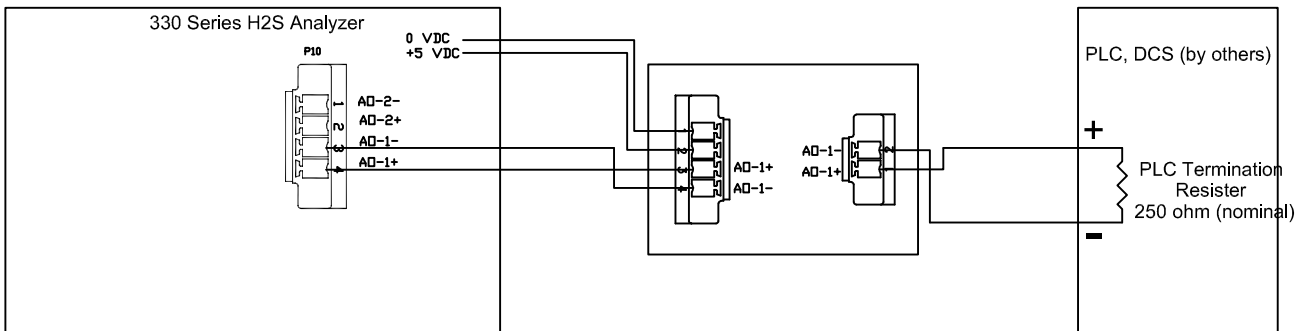
PLC set for loop power



PLC set for externally supplied loop power



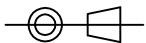
Envent powered AO option board



REVISIONS

REV	DESCRIPTION	DATE	BY

DIMENSIONS ARE IN INCHES
DIMENSIONS () ARE METRIC



TOLERANCES (EXCEPT AS NOTED):
LINEAR DIM., 2 DEC. PLACES: ± 0.03 (± 0.76 mm)
LINEAR DIM., 3 DEC. PLACES: ± 0.020 (± 0.50 mm)
FRACTIONS AND WHOLE NUMBERS $\pm 1/32$ "
CONCENTRICITY: T.I.R. 0.005 MAX (0.1mm MAX)
ANGLES $\pm 30'$
MACHINE FINISH (MICRO-INCH): $\sqrt{125}$

DRAWN BY:
DK

APPROVED BY:

Envent
Engineering Ltd.

7060E Farrell Road S.E.
CALGARY, AB, CANADA T2H 0T2
PH: (403) 253-4012
FX: (403) 253-4016
envent@telus.net
http://www.envent-eng.com

TITLE:
**330 Series H2s Analyzer
4-20 ma Analog Output**

USED ON
ASSEMBLY:

DATE:
May 2010

SIZE:
A

THIS DRAWING IS THE PROPERTY OF ENVENT ENGINEERING LTD AND IS SUBJECT TO RETURN UPON REQUEST. THE CONTENTS ARE CONFIDENTIAL AND ARE NOT TO BE DISCLOSED OR REPRODUCED WITHOUT THE WRITTEN CONSENT OF ENVENT AND ARE NOT TO BE USED IN ANY WAY DETRIMENTAL TO ITS INTERESTS. COPYRIGHT.

SHEETS:
OF

DWG. NUMBER:

REV.