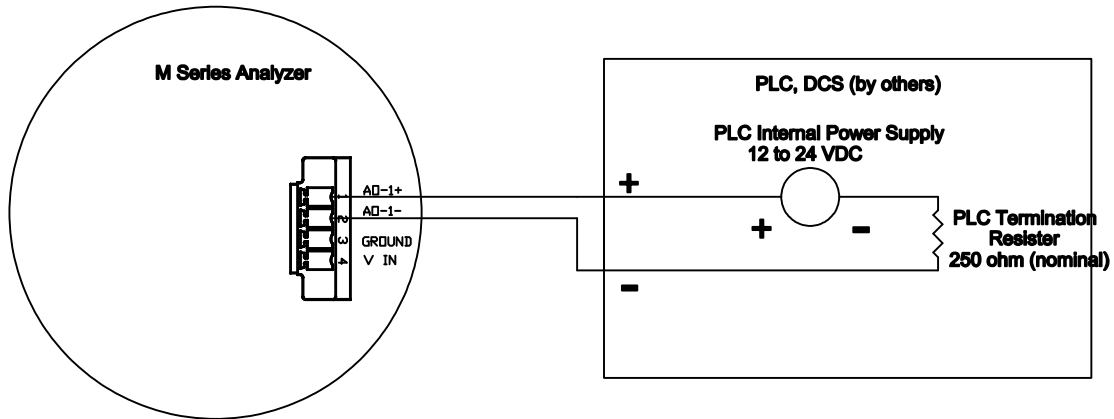
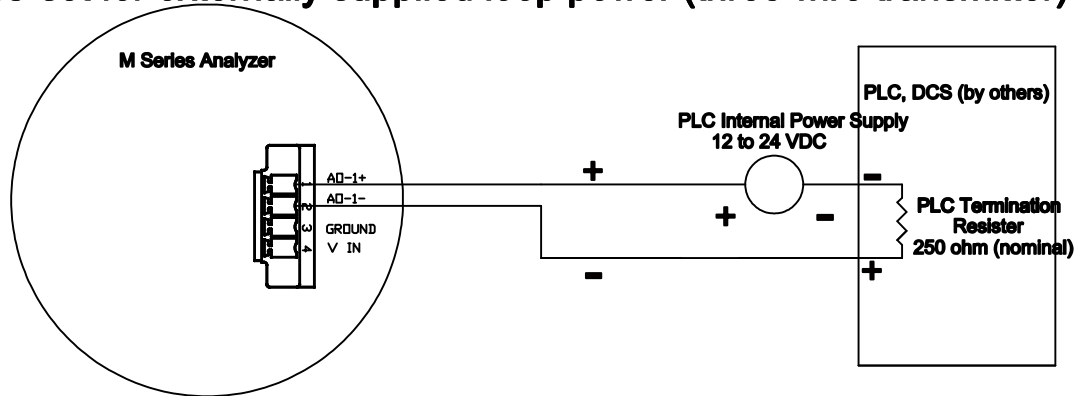


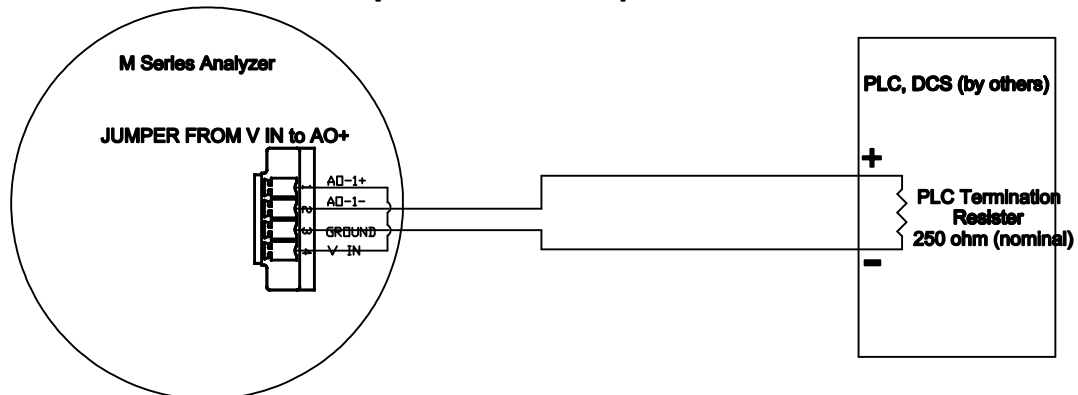
## PLC set for loop power (two wire transmitter)



## PLC set for externally supplied loop power (three wire transmitter)



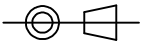
## Envent powered AO option board



### REVISIONS

REV	DESCRIPTION	DATE	BY

DIMENSIONS ARE IN INCHES  
DIMENSIONS ( ) ARE METRIC



TOLERANCES (EXCEPT AS NOTED):  
 LINEAR DIM., 2 DEC. PLACES: ± 0.03 (± 0.76mm)  
 LINEAR DIM., 3 DEC. PLACES: ± 0.020 (± 0.50mm)  
 FRACTIONS AND WHOLE NUMBERS ± 1/32"  
 CONCENTRICITY: T.I.R. 0.005 MAX (0.1mm MAX)  
 ANGLES ± 30'  
 MACHINE FINISH (MICRO-INCH): 125

DRAWN BY:  
**RJ**

APPROVED BY:

Envent  
Engineering Ltd.

7080E Farrell Road S.E.  
 CALGARY, AB, CANADA T2H 0T2  
 PH: (403) 263-4012  
 FX: (403) 263-4016  
 envent@telus.net  
 http://www.envent-eng.com

TITLE:  
**M Series Analyzer  
4-20 ma Analog Output**

USED ON  
ASSEMBLY:

DATE:  
**May 2010**

SIZE:  
**A**

THIS DRAWING IS THE PROPERTY OF ENVENT ENGINEERING LTD AND IS SUBJECT TO RETURN UPON REQUEST. THE CONTENTS ARE CONFIDENTIAL AND ARE NOT TO BE DISCLOSED OR REPRODUCED WITHOUT THE WRITTEN CONSENT OF ENVENT AND ARE NOT TO BE USED IN ANY WAY DETRIMENTAL TO ITS INTERESTS. COPYRIGHT.

SHEETS:  
OF

DWG. NUMBER:

REV.